

# Mod.860



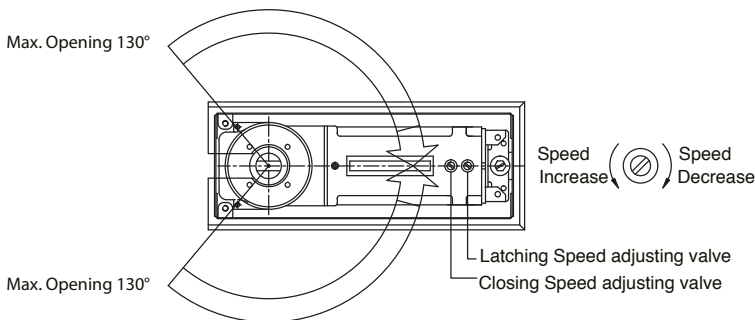
**Certificate:**  
BS EN1154:1997



## Product Features:

- Fixed power size 3
- Adjustable closing & latching speed
- Maximum door opening angle at 130 °

Power size	3
Max. Door width (mm)	1000
Max. Door weight (kg)	100



## Application Ranges:

- Suitable for single & double action door
- Available for light , medium & heavy duty door

Length (mm) : 7  
Width (mm) : 10  
Height (mm) : 4

## Accessories:

- Standard arm
- Pivot
- Alternative spindle options
- Offset arm

## Dimensions:

